

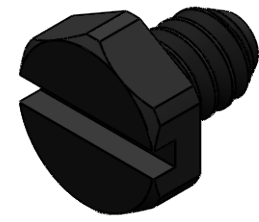
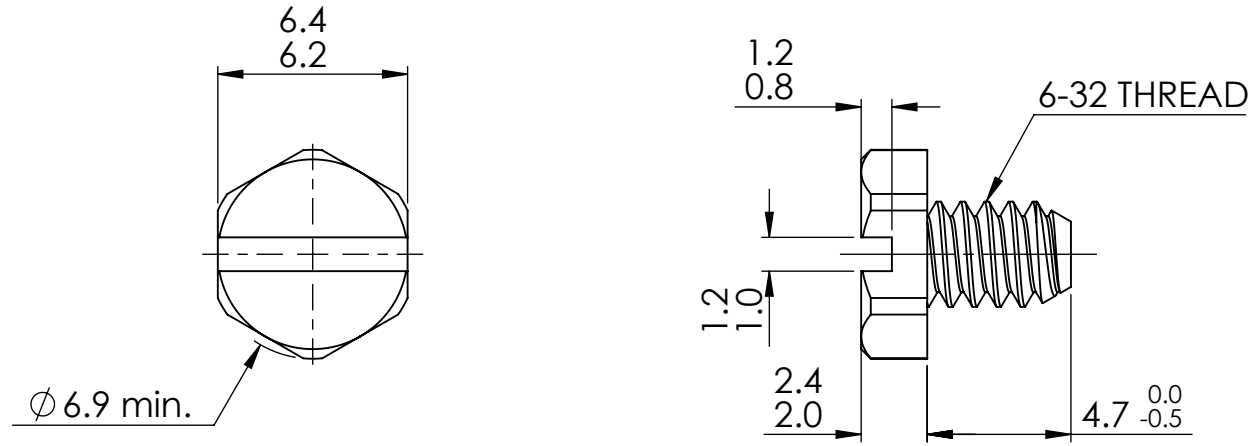
© 2013 Essentra Components. All rights reserved.
 Registered in England, Company No. 547495.
 Registered Office: Essentra plc
 Langford Locks, Kidlington, Oxford, OX5 1HX

Condition of Sale can be found on our website: essentra.com.

Essentra Components does not warrant that the files will be error free and may create new versions ("Upgrades") at any time, which may correct such errors. Essentra Components has no obligation to notify you of such upgrades. Any upgraded file will be published to the website, when it becomes available.

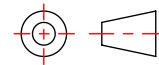
You are not permitted to load any of the files on to a network server for the purposes of distribution to one or more other computer(s) on that network or to effect such distribution. Essentra Components shall not be liable for any loss or damage whatsoever or however caused, arising directly or indirectly from the use of the files.

UNCONTROLLED COPY



STATUS **APPROVED DRAWING**

UNLESS OTHERWISE STATED

ALL DIMENSIONS IN mm			DO NOT SCALE	
LINEAR TOLERANCE			THIRD ANGLE PROJECTION	
SIZE	(0)	(0.0)		
0-10	±0.5	±0.15	ANGULAR TOLERANCE ±0.5 DEGREES	
>10-30	±0.5	±0.20	UNSPECIFIED RADII 0.25mm	
>30-50	±0.5	±0.30	DRAFT ANGLE 0.5 DEGREES	
>50-100	±0.8	±0.50	DIMENSIONS IN PARENTHESIS () ARE FOR REFERENCE ONLY	
>100-200	±1.5	±0.80		
>200-300	±2.0	±1.20		
>300-500	±3.0	±2.00		
>500	±5.0	±3.00		

ITEM CODE	20801274	CREATE DATE	04/03/2025
LEGACY CODE	010632X018B	MATERIAL	PA66
		COLOUR	BLACK
		FINISH	-

TITLE:
632 X 1/4 SLOTTED HEX BLACK M111

DWG. No.	20801274	SCALE	4:1	ISSUE	1
		SHEET	1 of 2		

© 2013 Essentra Components. All rights reserved.
 Registered in England, Company No. 547495.
 Registered Office: Essentra plc
 Langford Locks, Kidlington, Oxford, OX5 1HX

Condition of Sale can be found on our website: essentra.com.

Essentra Components does not warrant that the files will be error free and may create new versions ("Upgrades") at any time, which may correct such errors. Essentra Components has no obligation to notify you of such upgrades. Any upgraded file will be published to the website, when it becomes available.

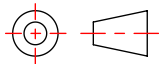
You are not permitted to load any of the files on to a network server for the purposes of distribution to one or more other computer(s) on that network or to effect such distribution. Essentra Components shall not be liable for any loss or damage whatsoever or however caused, arising directly or indirectly from the use of the files.

UNCONTROLLED COPY

STATUS **APPROVED DRAWING**

UNLESS OTHERWISE STATED

ALL DIMENSIONS IN inches DO NOT SCALE

LINEAR TOLERANCE				THIRD ANGLE PROJECTION
SIZE	(0.00)	(0.000)	(0.0000)	
0 - 0.394	±0.020	±0.006	±0.004	ANGULAR TOLERANCE ±0.5 DEGREES UNSPECIFIED RADII 0.25mm DRAFT ANGLE 0.5 DEGREES DIMENSIONS IN PARENTHESIS () ARE FOR REFERENCE ONLY
>0.394 - 1.181	±0.020	±0.008	±0.006	
>1.181 - 1.969	±0.020	±0.012	±0.008	
>1.969 - 3.937	±0.031	±0.020	±0.010	
>3.937 - 7.874	±0.059	±0.031	±0.016	
>7.874 - 11.811	±0.079	±0.047	±0.031	
>11.811 - 19.685	±0.118	±0.079	±0.039	
>19.685	±0.197	±0.118	±0.059	

ITEM CODE	20801274	04/03/2025	CREATE DATE
LEGACY CODE	010632X018B	PA66	MATERIAL
		BLACK	COLOUR
		-	FINISH

TITLE:
632 X 1/4 SLOTTED HEX BLACK M111

DWG. No.	20801274	SCALE	4:1	ISSUE	1
		SHEET	2 of 2		

